

SAFETY GLAZING INFORMATION

- This handout is intended only as a guide. It shall not be considered a complete set of requirements.
- Materials and installation must comply with the current Minnesota State Building Code and the manufacturers' installation specifications for each product.

R308.4.1: GLAZING IN DOORS:

Safety glazing is required in all fixed and operable panels of:

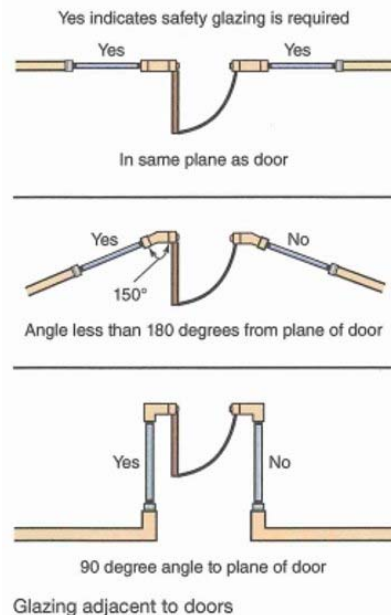
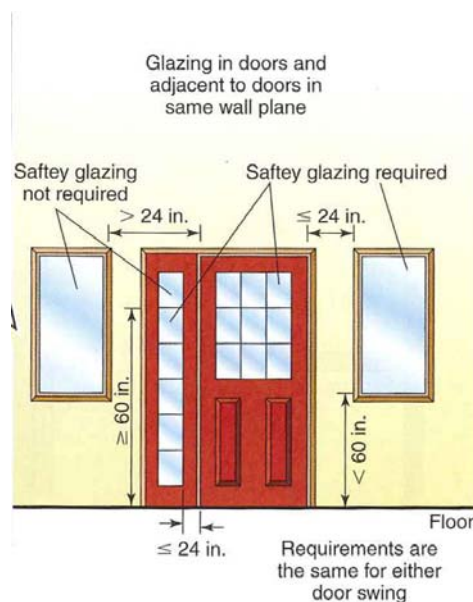
- Swinging doors
- Sliding doors
- Bi-fold doors

Exceptions:

- Openings in doors through which a 3" sphere cannot pass.
- Decorative glazing (i.e. stained-glass windows are not required to be safety glazed; however, etched/frosted glass windows meeting any of the previous criteria must be safety glazed).

R308.4.2: GLAZING ADJACENT TO DOORS: Safety glazing is required in a fixed or operable panel where the glazing is less than 60" from the floor and meets either of the following:

- It is within 24" of either side of a door in the plane of the door in a closed position.
- It is on a wall less than 180° from the plane of the door in a closed position and within 24" of the hinge side of an inswing door.



Exceptions:

1. Decorative glazing.
2. Where there is an intervening wall or other permanent barrier between the door and glazing.
3. Glazing in walls on the latch side of and perpendicular to the plane of the door in a closed position.
4. Where access through the door is to a closet area ≤ 3' in depth.
5. Glazing adjacent to a fixed panel of patio doors.

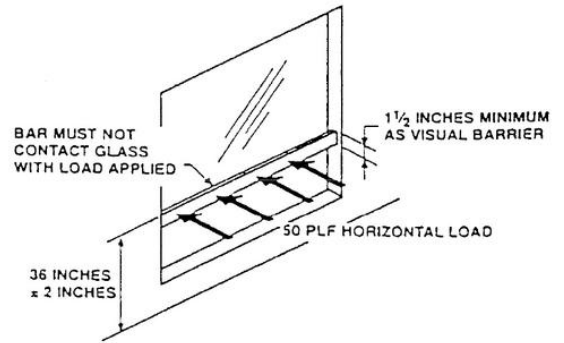
R308.4.3: GLAZING IN WINDOWS:

Safety glazing is required in an individual fixed or operable panel, which meets all the following criteria:

1. The exposed area of individual panes is $> 9 \text{ ft}^2$
2. Its bottom edge is $< 18"$ above the floor
3. Its top edge is $> 36"$ from floor, AND
4. One or more walking surfaces are within $36"$ horizontally of the glazing.

Exceptions:

1. Decorative glazing.
2. When a horizontal rail is installed on the accessible side(s) of the glazing, 34 - $38"$ above the walking surface (handrail height). (See illustration.)
3. Outboard panes in insulated glass units when the bottom edge is $\geq 25'$ above grade, roof, walking surface or horizontal surface; or the horizontal surface slope is $> 45^\circ$.



R308.4.4: GLAZING IN GUARDS AND RAILINGS:

Safety glazing is required in all glazing in guards and railings, including structural baluster panels and nonstructural in-fill panels. If functioning as a guard or railing, it is considered a hazardous location and must be safety glazed.

Guards with structural glass baluster panels shall be installed with an attached top rail or handrail. The top rail or handrail shall be supported by not less than three glass baluster panels, or shall be otherwise supported to remain in place should one glass baluster panel fail.

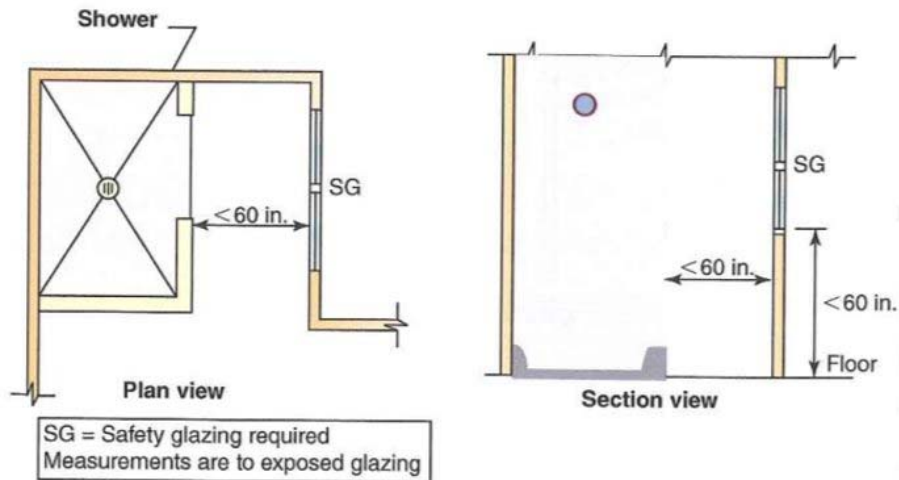
Exception: An attached top rail or handrail is not required if panels are 2-ply laminated glass.

R308.4.5: GLAZING AND WET SURFACES:

Safety glazing is required in walls, enclosures, or fences containing or facing hot tubs, spas, whirlpools, saunas, steam rooms, bathtubs, showers, and swimming pools (indoor or outdoor), where the bottom edge is $< 60"$ above any standing or walking surface. This applies to all panes in multiple glazing assemblies, as well as to single panes.

Exceptions:

Glazing $> 60"$ measured horizontally and in a straight line from the water's edge of a bathtub, hot tub, spa, whirlpool, or swimming pool.



R308.4.6: GLAZING ADJACENT TO STAIRS AND RAMPS:

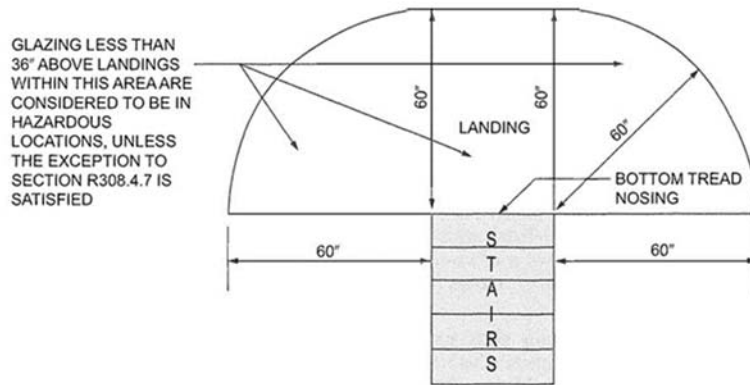
Safety glazing is required where the bottom exposed edge is $< 36"$ above the plane of the adjacent walking surface of stairways, landings between flights of stairs, and ramps.

Exceptions:

1. When a horizontal rail is installed between 34 "- $38"$
2. When glazing is $36"$ or more measured horizontally from the walking surface.

R308.4.7: GLAZING ADJACENT TO BOTTOM STAIR LANDING:

Safety glazing is required adjacent to the landing at the bottom of a stairway where the glazing is < 36" above the landing and within a 60" horizontal arc less than 180° from the bottom tread nosing.



n.

**FIGURE R308.4.7
HAZARDOUS GLAZING LOCATIONS AT BOTTOM STAIR LANDINGS**

Exceptions:

1. Glazing is protected by a guard and is > 18" from guard.

